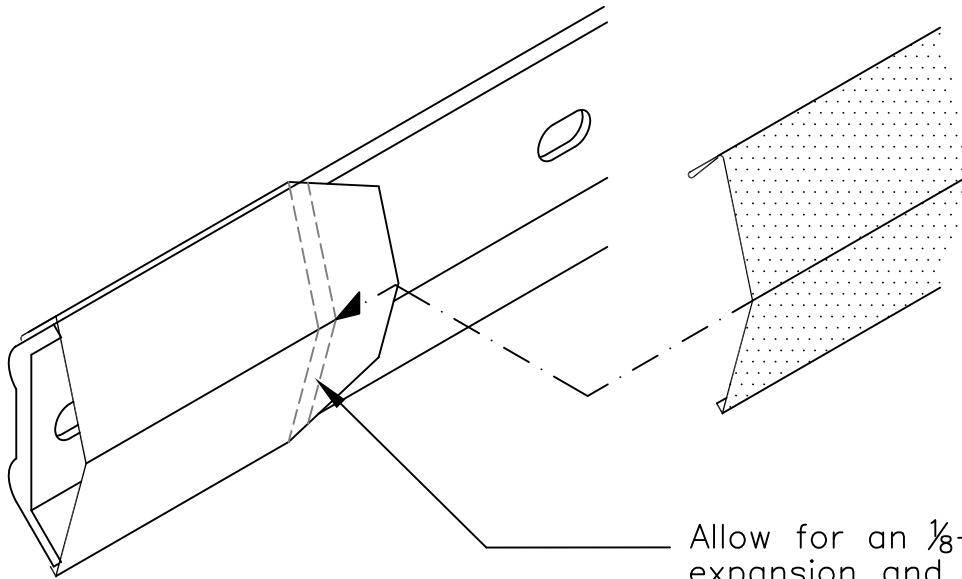




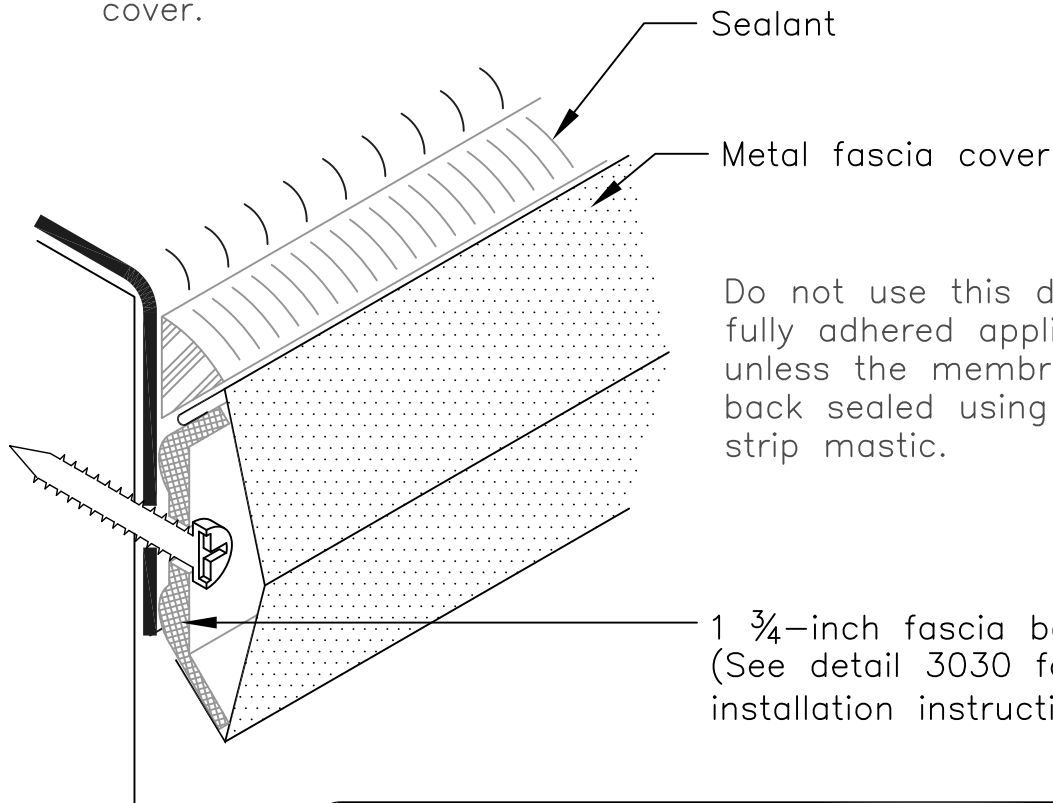
1-800-248-0280
831 Morley Drive
Saginaw, MI 48601

DETAIL E3500



Allow for an $\frac{1}{8}$ -inch gap for expansion and contraction. (Expansion tab must install beneath the next installed piece)

Note: Joints on the fascia bar must be offset by a minimum of 12-inches from the joints in the fascia cover.



Sealant

Metal fascia cover

Do not use this detail for fully adhered applications unless the membrane is back sealed using caulk or strip mastic.

1 $\frac{3}{4}$ -inch fascia bar
(See detail 3030 for installation instructions)

DATE: JANUARY 2013

METAL EDGE DETAIL

DRAWN BY: ENG. DEPT.

1 $\frac{3}{4}$ -INCH METAL FASCIA SYSTEM

SCALE: NONE

NEW CONSTRUCTION OR RE-ROOF