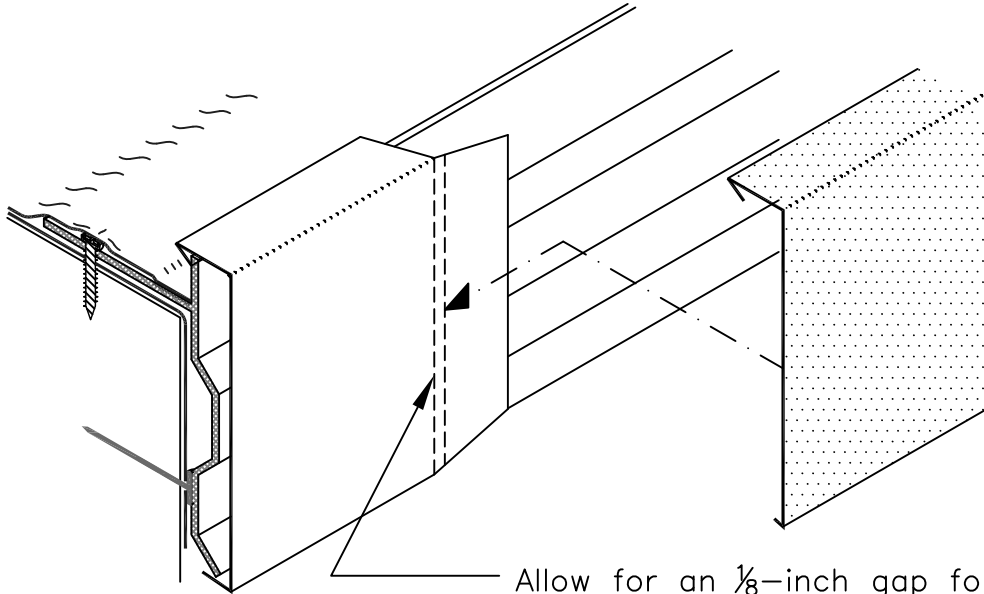




1-800-248-0280
 831 Morley Drive
 Saginaw, MI 48601

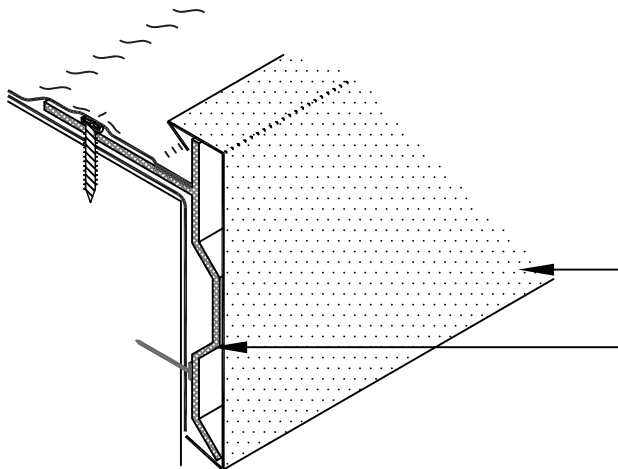
DETAIL E3530



Allow for an $\frac{1}{8}$ -inch gap for expansion and contraction. (Expansion tab must install beneath the next installed piece). Install left to right.

Note: Joints on the gravel stop must be offset by a minimum of 12-inches from the joints in the gravel stop cover.

*Be sure to caulk the gap between sections of vinyl gravel stop.



Metal cover system

4-inch gravel stop
 (See detail 3100 for installation instructions)

THE USE OF THIS DETAIL IS NOT ALLOWED ON FULLY ADHERED APPLICATIONS.

DATE: JANUARY 2013

METAL EDGE DETAIL

DRAWN BY: ENG. DEPT.

4-INCH METAL GRAVEL STOP SYSTEM

SCALE: NONE

NEW CONSTRUCTION OR RE-ROOF