

GUTTERS & ACCESSORIES



525 Morley Drive
Saginaw, MI 48601
Ph: 1 (800) 248-0280
Fx: 1 (800) 432-9331



831 Morley Drive
Saginaw, MI 48601
Ph: 1 (800) 248-0280
Fx: 1 (989) 753-7073

Date: _____

Status: Quote Order

Ordered By: _____ Acct. # _____
Contractor: _____
Address: _____
City: _____ St: _____ Zip: _____
Phone #: _____ Fax: _____

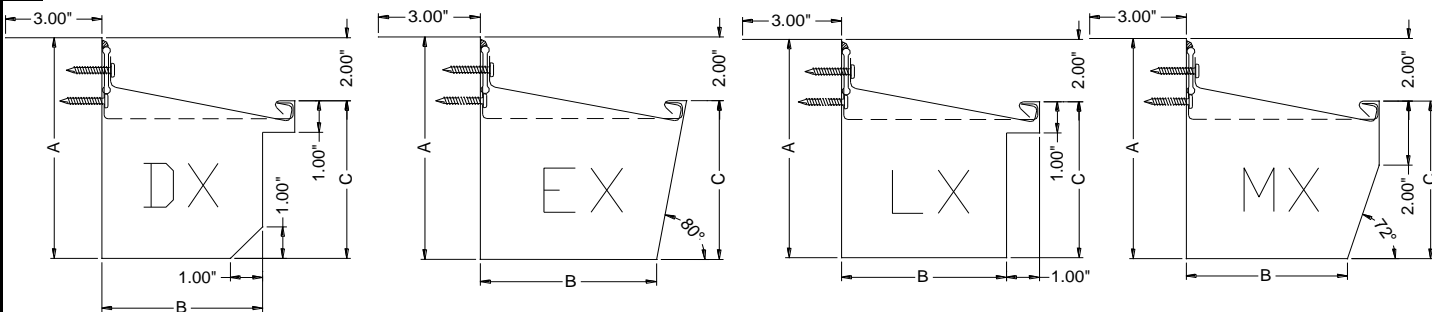
Job Name: _____
Address: _____
City: _____ St: _____ Zip: _____
P.O. #: _____ Job #: _____
Original Order #: _____

Special Instructions: _____

Ship Via: _____
Ship To: Contractor Location Jobsite
 Other (provide address below)

"X" Styles (straps not installed)* STANDARD 10'-0" LENGTHS

Gutter Style	Gutter Color: _____ <input type="checkbox"/> 24 Ga <input type="checkbox"/> .040 Aluminum <input type="checkbox"/> .050 Aluminum																			
	Style	A	B	C	Linear ft.	Style	A	B	C	Linear ft.	Style	A	B	C	Linear ft.	Style	A	B	C	Linear ft.
	DX4	6	4	4		EX4	6	4	4		LX4	6	4	4		MX4	6	4	4	
	DX5	7	5	5		EX5	7	5	5		LX5	7	5	5		MX5	7	5	5	
	DX6	7	6	5		EX6	7	6	5		LX6	7	6	5		MX6	7	6	5	



* Straps can be factory installed at an additional cost.

CUSTOM LENGTHS	Quantity	Size needed:
	Ea.	
	Ea.	
	Ea.	
	Ea.	
	Ea.	
	Ea.	
	Ea.	

GUTTER ACCESSORIES	Item	Quantity	Notes
	End Cap L		
	End Cap R		
	Splice Plate		
	I.C. Corner		
	O.C. Corner		
	Exp. Joint		
	Gutter Seal		
	Rivets (250)		
	Cust. Gutter		See Drawing

